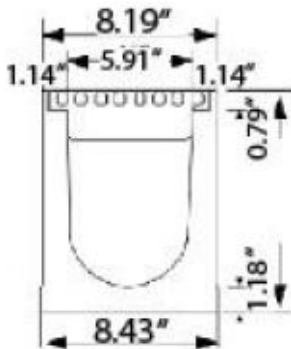


Number MAXI 150 Channel	Series MAX150 Trench Drain Channel MAXI 150
--	---

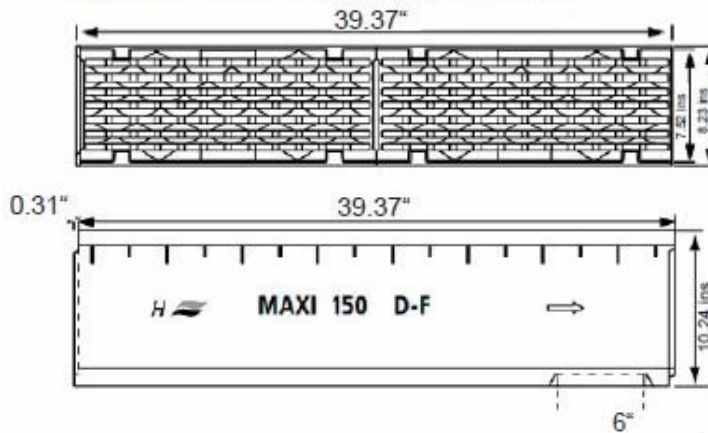


MAXI 150

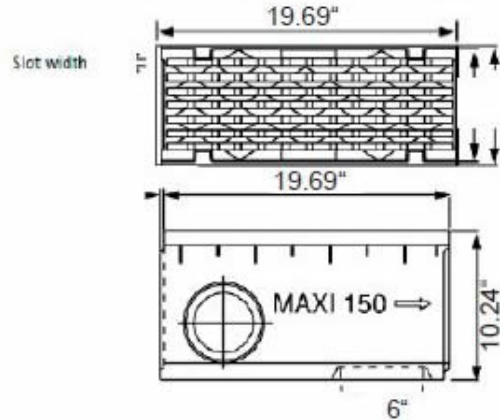


Product Description	With Ductile Iron ADA Class D Grate Part No.	Weight Lbs	With Ductile Iron Class E Grate Part No.	Weight Lbs	With Ductile Iron ADA Class F Grate Part No.	Weight Lbs	'A' Shallow Invert Inches [mm]	'B' Shallow Invert Inches [mm]
Neutral Channel 39.37" (1m)	CHG61540-000	169.76	CHG62150-000	169.76	CHG61560-000	169.76	8.27"[210]	8.27"[210]
Neutral Channel 19.69" (0.5m)	CHG61540-005	80.47	CHG62150-005	80.47	CHG61560-005	84.66	8.27"[210]	8.27"[210]
M1 Sloped Channel 39.37" (1m)	CHG61540-011	164.24	CHG62150-011	164.24	CHG61560-011	173.28	8.27"[210]	8.66"[220]
M2 Sloped Channel 39.37" (1m)	CHG61540-021	167.11	CHG62150-021	167.11	CHG61560-021	175.71	8.66"[220]	9.06"[230]
M3 Sloped Channel 39.37" (1m)	CHG61540-031	170.64	CHG62150-031	170.64	CHG61560-031	179.68	9.06"[230]	9.45"[240]
M4 Sloped Channel 39.37" (1m)	CHG61540-041	175.27	CHG62150-041	175.27	CHG61560-041	180.78	9.45"[240]	9.84"[250]
M5 Sloped Channel 39.37" (1m)	CHG61540-051	176.37	CHG62150-051	176.37	CHG61560-051	182.98	9.84"[250]	10.23"[260]
Neutral Channel 39.37" (1m)	CHG61540-050	185.19	CHG62150-050	185.19	CHG61560-050	185.19	10.23"[260]	10.23"[260]
Neutral Channel 19.69" (0.5m)	CHG61540-055	89.29	CHG62150-055	89.29	CHG61560-055	91.05	10.23"[260]	10.23"[260]
M6 Sloped Channel 39.37" (1m)	CHG61540-061	181.00	CHG62150-061	181.00	CHG61560-061	186.73	10.23"[260]	10.63"[270]
M7 Sloped Channel 39.37" (1m)	CHG61540-071	182.54	CHG62150-071	182.54	CHG61560-071	194.67	10.63"[270]	11.02"[280]
M8 Sloped Channel 39.37" (1m)	CHG61540-081	186.29	CHG62150-081	186.29	CHG61560-081	191.14	11.02"[280]	11.42"[290]
M9 Sloped Channel 39.37" (1m)	CHG61540-091	188.94	CHG62150-091	188.94	CHG61560-091	198.20	11.42"[290]	11.81"[300]
M10 Sloped Channel 39.37" (1m)	CHG61540-101	194.01	CHG62150-101	194.01	CHG61560-101	198.42	11.81"[300]	12.20"[310]
Neutral Channel 39.37" (1m)	CHG61540-100	194.01	CHG62150-100	194.01	CHG61560-100	198.42	12.20"[310]	12.20"[310]
Neutral Channel 19.69" (0.5m)	CHG61540-105	98.11	CHG62150-105	98.11	CHG61560-105	99.21	12.20"[310]	12.20"[310]
Catch Basin 19.69" (0.5m)	CHG61540-008	143.30	CHG62150-008	143.30	CHG61560-008	143.30	19.69"[500]	19.69"[500]

Channel with 2 grates, water intake area 114.08 sq. ins



Water intake area 57.04 sq. ins



Manufacturer



Specification

HYDROTEC MAXI 150 SERIES FIBER REINFORCED CONCRETE WITH A DUCTILE IRON EDGE 6" WIDTH DRAINAGE CHANNEL. WITH SLOPE , SUPPLIED BY TRENCH DRAIN SUPPLY.

DISCLAIMER - The customer and the customer's architects, engineers, consultants, and other professionals are completely responsible for the selection installation and maintenance of any product purchased from Trench Drain Supply and/or its manufacturers. TRENCH DRAIN SUPPLY MAKES NO WARRANTY, EXPRESS OR IMPLIED, AS TO THE SUITABILITY, DESIGN, MERCHANTABILITY, OR FITNESS OF THE PRODUCT FOR CUSTOMERS APPLICATION. The drawing and information provided remain the property and copyright of the manufacturer listed. The manufacturer reserves the right to modify specification without notice.